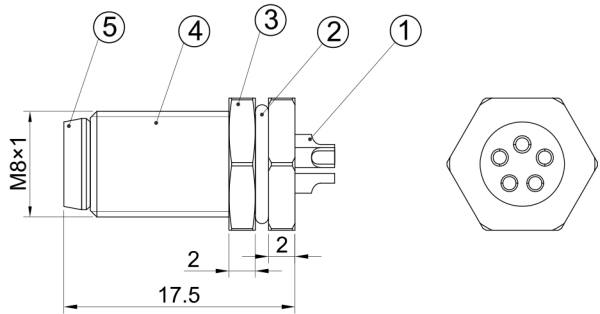
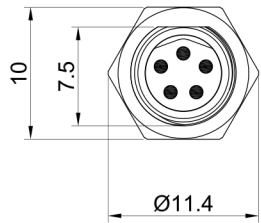
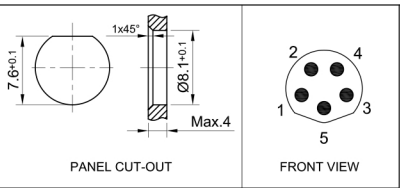


Revisions			
Rev.	Description	ECH No.	Date



General Specifications

Connector locking system:	Screw
Termination:	Soldering
Temperature range:	-25°C ~ +85°C
Mating cycles:	> 100
Degree of protection:	IP67 when mated
Rated voltage:	30V AC/DC
Rated current:	3A
Contact resistance:	≤5 mΩ
Insulation resistance:	>100 MΩ

All materials RoHS compliant

5	Contact carrier, PA66+GF, Black	pc	1
4	Base shell, CuZn nickel plated	pc	1
3	Hex Nut, CuZn nickel plated	pc	1
2	Sealing, NBR, Black	pc	1
1	Contacts, CuZn, Gold plated	pc	5
No.	Specification	Unit	Q'ty

THIRD ANGLE		NAME	DATE	MATERIAL:	VOLUME:	MASS:	
GENERAL TOLERANCE (UNLESS SPECIFIED)	DRAWN			TITLE M8 5P MALE REAR MOUNTING	PART NO. 6208-040-805	DWG NO. ED-923-762	
	CHECKED						
	RELEASE						
ISO2768-m				UNIT	REV.	SIZE	SHEET
				MM	A	A4	1 OF 1